

AVAILABLE FOR SALE

Quantity 1 – NEW UNUSED TOP DRIVE & TRAVELLING BLOCK

DAF No. D/2016/0TBC

Manufacturer	NOV
Model	TDS-8SA
Part No.	11050143-001
DNV	113371886-021

Manufacturer's illustration



Year of Manufacture:	2015
Condition of Equipment:	NEW UNUSED
Documentation:	Full Data Books, Certifications, Manuals etc
Current Location:	Aberdeen, U.K.
Availability:	Immediate

Datasheet on following pages

Viewing arrangements & enquiries via:

Richard Newman, Equipment Marketing Specialist, PSCM-Materials Management
BP Exploration Operating Company, +44 77881 44554, email richard.newman@uk.bp.com

General Terms of Sale

1. You are invited to offer for the above surplus equipment.
2. Offers must be submitted in writing to: richard.newman@uk.bp.com
3. BP reserves the right to set a closing date.
4. Viewing of materials is strictly by appointment.
5. The goods are located at **ABERDEEN, U.K.**
6. All goods are offered for sale in condition '**as is, where is**' without warranty or guarantee.
7. The purchaser must satisfy themselves as to quantity and quality, notwithstanding descriptions provided by seller.
8. The goods shall be **delivered EX WORKS current location under Incoterms 2010.**
9. Customs Status of Goods is: **t.b.c.**
10. All inspection, collection & transportation costs will be for the account of the purchaser.
11. Offers should be valid for 28 days.
12. BP will invoice the buyer and the goods will be released when cleared payment is received in full from the buyer.
13. VAT (20%) Value Added Tax will apply as appropriate.
14. BP reserves the right to withdraw goods from sale at any time up to acceptance of offer.
15. BP reserves the right to reject any or all offers.
16. BP General Terms & Conditions of Sale apply, and parties intending to offer should seek a copy.

BP Asset Configuration

PART NUMBER	QTY			DESCRIPTION	(Legacy Number)
	(S/O)	-001			
11050143-001	1			DRILLING SYSTEM, TDS-8SA	
11371886-021		1		<p>DRILLING UNIT ASSEMBLY: TDS-8SA, DNV</p> <p><u>MOTOR HOUSING, TDS-8SA:</u> 3.8" Bore, 750Ton, 124"Bail, 7500psi, Deublin washpipe ships separately, with Inpro, DNV S-Pipe Loc: Right Hand</p> <p><u>INPRO AIR PURGE ISOLATER KIT:</u></p> <p><u>TDS DOLLY ASSEMBLY:</u> Setback x Spacing x Retract:100 x 90 x 49 (V.2) Rail Size: W14x74 S-Loop Bracket Location: Back (Rear) Roller Style: TDX Bogie S-Pipe: GearCase, Block Interface Model: 660TB500</p> <p><u>MOTOR ELEC KIT:</u> TDS-8SA, IEC/Ex, IP56, -20° to 55°C, 24VDC Solenoids, BX with Rotators, High Temp, J-Box labels, S/L Bracket: Right Hand Gear</p> <p><u>OIL CIRCULATING KIT:</u> TDS-8SA (No motor heaters) Electric: 4HP, EExd, 460VAC/60Hz, 55 °C, 3 KW, 3 Phase, 60Hz</p> <p><u>MOTOR COOLING SYSTEM:</u> TDS-8SA, LOCAL, 2800 CFM, High Temp Standard: Eex, ell T3, T(AMB) = 40° to 55°C, IP44 per SIRA EX 983124X Cert. Motor Electric: 20HP, 460VAC/60Hz, EExd, 55°C, 220 VAC Heaters</p> <p><u>S-PIPE INSTL KIT:</u> TDS-8SA, 7500psi, 3.8" Bore(Large), DNV Location: Right Hand GearCase Mud hose conn: 5", Female, Fig 1502</p> <p><u>MIST EXTRACTOR KIT:</u> Mounts onto GDA</p>	

PIPEHANDLER AND ADAPTER KITS					
10379622-013				PH-100, PIPEHANDLER INSTALLATION KIT (TDS-8SA): Handles 350T on Links, 6-5/8FH Drill Pipe conn, BX with Rotators IBOP Trim: H²S Certification: DNV	30172427-500H-DNV
10019280-002		1		ADAPTER KIT: PH-100, 5-1/2FH	141444-1
10019250-004		1		ADAPTER KIT: PH-100, NC50	141444-4
10019280-006		1		ADAPTER KIT: PH-100, HT55	141444-6
10019280-020		1		ADAPTER KIT: PH-100, VX57	141444-20
TDS AUXILIARY KITS AND EQUIPMENT					
11460033-151		1		COUNTERBALANCE KIT TO BLOCK, BEAM: MODEL:660TB500	NA
10066187-001		1		GEARBOX LUBRICATION KIT Lubricant temp class: Standard	92643-1
11322048-001		1		BLOCK INSTALL KIT: V.2 Uni-dolly P/N:11356820-021 and Block 660TB500	NA
10455330-001		1		DEUBLIN WASHPIPE 3.8" Bore	3018002
SERVICE LOOPS AND DERRICK TERMINATION KIT (TDS-8SA)					
<u>Single-Retract</u> TDS Dolly Assembly					
10109545-005		1		SERVICE LOOP KIT, ELECTRICAL: 92 feet, Single Retract Dolly	30173225-92
10112223-002		1		SERVICE LOOP, FLUIDS: 92 feet, Single Retract Dolly	30170941-92
10028902-001		1		DERRICK SUPPLY/DOLLY RETRACT ASSEMBLY KIT: Single Retract Dolly TDS-8SA	30160410
10987464-001		1		J-Box: Used for CRT connection in derrick	NA
11329257-001		1		DERRICK TERMINATION KIT: Single Retract Dolly (LH Service Loop J-Box entry)	NA

NOV Product Data Sheet

General Specifications	
Applications	(onshore/offshore)
Motor	GEB-20 1, 1150HP
API hoisting capacity, tons	750 ton, API-8C, PSL-1
Thread compensating system, standard	Hydraulic counterbalance system
Standard Dolly Sizing (setback)	
Fixed dolly standards (other configurations available upon request)	48" X 62"
Retract dolly standards (other configurations available upon request)	91" X 108"
	115" X 108"
Standard retract distances (other configurations available upon request)	45"
Weights & Dimensions	
Top Drive stack-up height, ft	24'
Retract Weight (with PH-100), lbs	62,000
Non-Retract Weight (with PH-100), lbs	52,000
Guide Beam Kit	N/A
Auxiliary equipment (S-Loop)	4,290 lbs
Motor Cooling System	
Type	Local intake pressure blower
Blower Motor Rating, hp	(1) 20 hp AC motors
Blower location	Local
Speed, rpm	3,450
Cooling water supply, gpm	N/A
Cooling water type	N/A
Heat removal required, Btu/hr	N/A
Pipehandler	
Type	PH-100 (100,000 ft-lb backup torque)
Torque capacity	100,000 ft-lbs
Tool Joint Sizes, inches	(4.75"-8.62" OD tool joint)
Breakout torque, ft-lb	103,000 ft-lbs
Makeup torque, ft-lb	95,000 ft-lbs
Hoisting capacity link adapter, tons	750
Forward tilt range (132 in length), in	87.7"
Backward tilt range (132 in length), in	106"
Rotation, degrees	360
Gearcase	
Type	Single speed 8.5:1 Double reduction helical
Gear Ratio (High/Low)	N/A
Reservoir Capacity, gal.	23
Lubrication oil cooling	Forced Air
Load Rating, tons	750
Oil Type	EP Grade
Oil Pressure	Minimum 10 psi, Maximum 30 psi
Main shaft connection type	7 5/8" API Reg

BP Exploration Operating Company Limited
Aberdeen, UK

Drilling Parameters	
Drilling speed range, rpm	0-270 continuous
Drilling torque, ft-lb	62,250 continuous
Breakout torque, ft-lb	103,000 ft-lbs
Drilling horsepower, hp	1,150 maximum continuous
Static locking brake, ft-lb	76,000
Drilling Motor	
Type	GE GEB-20 1, 1150 HP 600 VAC 3 phase open frame
Output Power, hp	1,150 HP each
Protection rating	IP44
Speed rating, rpm	800
Maximum speed, rpm	2,300
Rated current, A	1100 base
Voltage, VAC	600
Design Data	
Service	Drilling
Design code/standard	ABS, Dnv
Operating Temperature, degrees C	-20 to 55 C
Survival Temperature, degrees C	-40 to 65 C
Mud Circuit	
Pressure rating, psi	7,500
Pressure rating IBOP, psi	15,000 psi CWP
S-Pipe connection, standard	5" 1002 Female Union
Goose neck wireline entry dia, in	5" 1002 Female Union
Umbilicals	
Main power supply	(1) 646 MCM
Controls	Multi-conductor
Fluids Loop	(2) 1", (2) 3/4", (2) 1/2" hoses
Power Requirements	
Hydraulic pressure requirement (rig supply) psi	2,000 psi
Rig Supply Hydraulic flow, gpm	35 gpm
Air pressure, psi	90-125
Air flow, scfm	50
AC drilling motor (supplied from VFD)	575-600 VAC
Motor Heater	200 watt 110/220 VAC
Blower motor (supplied from VFD)	460 VAC
Lube oil pump motor (supplied from VFD)	460 VAC
Paint	
Coating System	VPS00001
Drawings	
GAD- Retract	3GA00072
Gad-Non-Retract	N/A
Service Manual	SM00981
Hydraulic Schematic	30181083

NOV TRAVELLING BLOCK

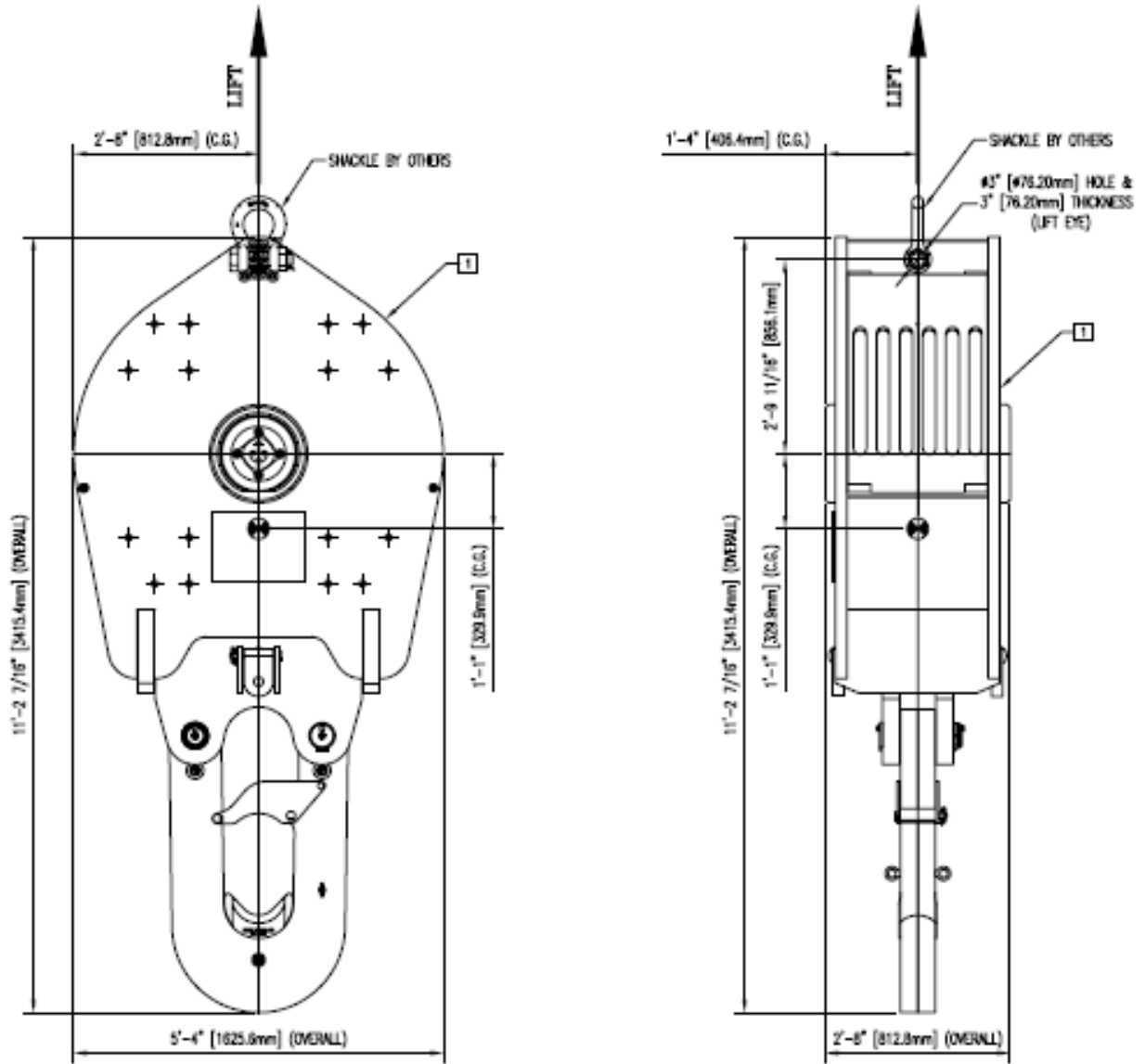
Manufacturer	DRECO ENERGY SERVICES
Model	660TB500
Tag No.	603200
Serial No.	M230904118-INF-006
Year of Build	2015 - April
Condition	UNUSED

Specification	
Load Capacity	1,000,000lb (453,592 kg)
Lift Eye Capacity	110,000lb (49,895 kg)
Number of Sheaves	6
Sheave Diameter	60" (1,524 mm)
Shaft Diameter	10" (254 mm)
Specification	API-8C, PSL-1
Approx Length	8'-7/8" (2,461 mm)
Approx Width	5'-4" (1,626 mm)
Approx Depth	2'-8" (813 mm)
Approx Weight	16,718 lb (7,583 kg)
Wire Diameter	1.1/2"
Drawing No.	11045145-002
Technical File No.	11419323-REP

Becket Inserts available to mate to TDS-8SA Bail



library picture



Actual Travelling Block